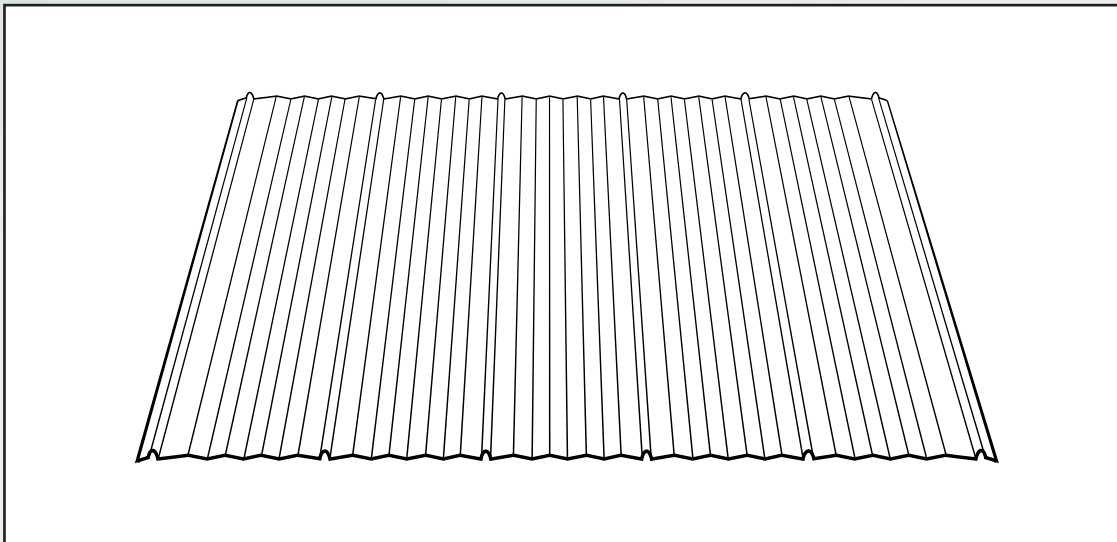


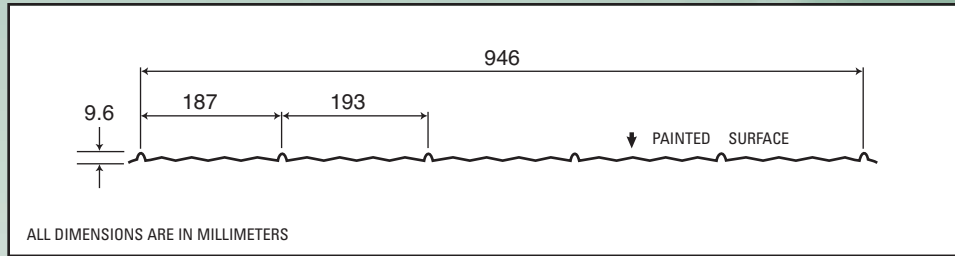
**Physical Properties**

| Base Steel Thickness<br>(in.) | Weight<br>G90 | Yield<br>Stress |
|-------------------------------|---------------|-----------------|
|                               | (psf)         | ksi             |
| 0.0120                        | 0.560         | 80              |
| 0.0135                        | 0.626         | 80              |
| 0.0180                        | 0.813         | 50              |
| 0.0240                        | 1.037         | 33              |



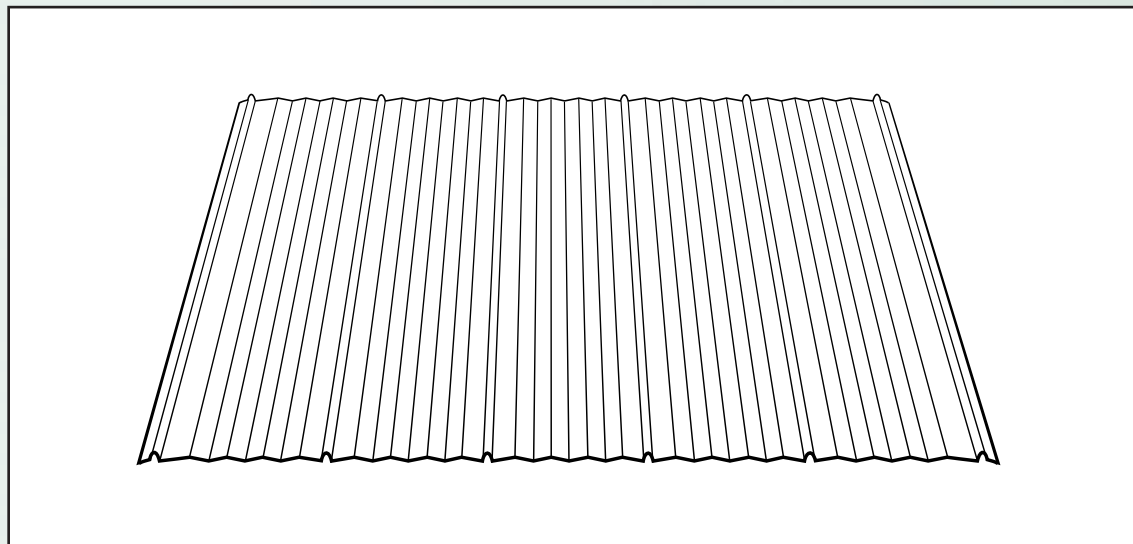
- Lo-Rib** – One of the most economical panels in the market today.
- Use on high sloped roofs and exterior/interior siding.
  - Minimum recommended slope is 4/12 based on maximum purlin spacing of 24" centres.
  - Contact the sales department for stocked colours and gauges.





**Physical Properties**

| Base Steel Thickness<br>(mm) | Mass<br>Z275<br>(kg/m <sup>2</sup> ) | Yield<br>Stress<br>MPa |
|------------------------------|--------------------------------------|------------------------|
|                              | 0.305                                | 2.73                   |
| 0.343                        | 3.06                                 | 550                    |
| 0.457                        | 3.97                                 | 345                    |
| 0.610                        | 5.06                                 | 230                    |



- Lo-Rib** – One of the most economical panels in the market today.
- Use on high sloped roofs and exterior/interior siding.
  - Minimum recommended slope is 4/12 based on maximum purlin spacing of 610 mm centres.
  - Contact the sales department for stocked colours and gauges.

