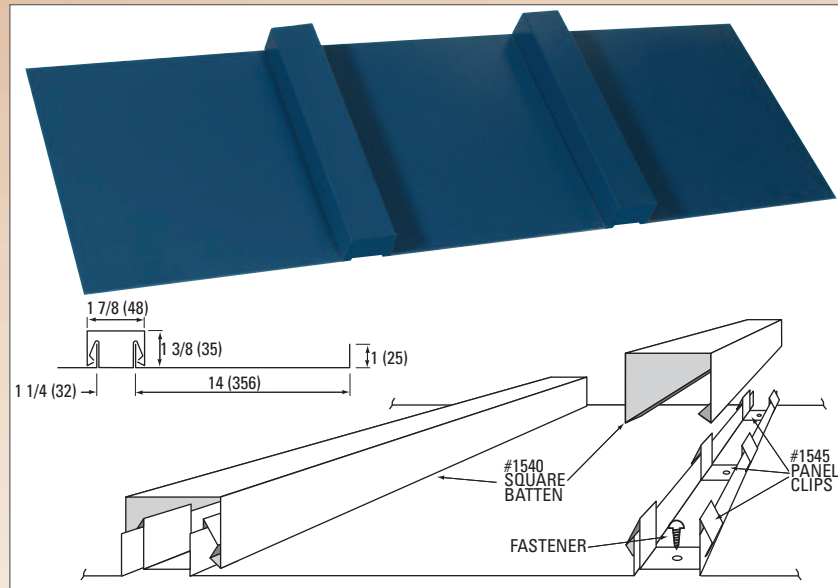


# Batten Profiles

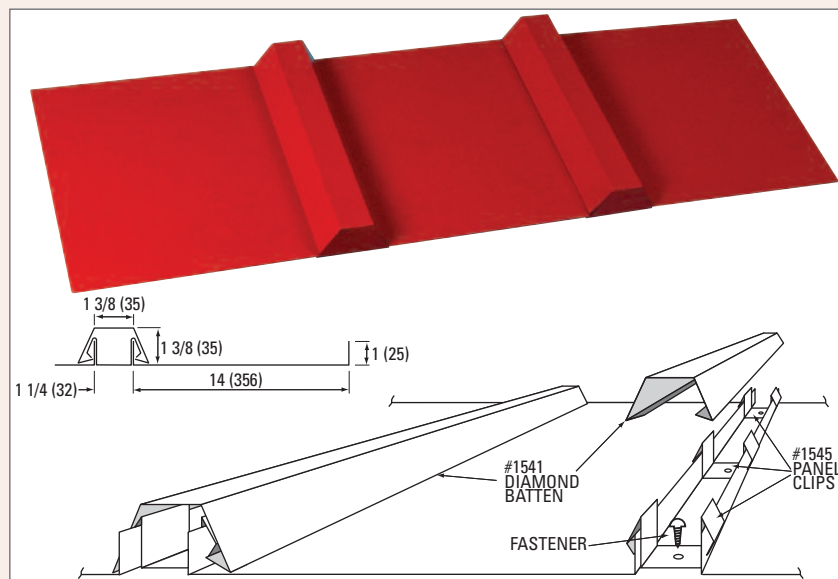
## Board and Batten (Brake Formed)



### FEATURES:

- Custom lengths from 1'-0" to 20'-2"
- Prepainted Steel, Aluminum, Copper, Stainless Steel and Zinc
- Available with a starter cleat and 90° end bend
- Suitable for Roof or Wall applications
- Can be notched and preformed for knee-bend applications
- Custom dimensioning also available
- **All installations must be on a solid decking c/w moisture barrier**

## Diamond Batten (Brake Formed)



### FEATURES:

- Custom lengths from 1'-0" to 20'-2"
- Prepainted Steel, Aluminum, Copper, Stainless Steel and Zinc
- Suitable for Roof or Wall applications
- Available with a starter cleat and 90° end bend
- Custom dimensioning also available
- **All installations must be on a solid decking c/w moisture barrier**



# Batten Profiles

## Flashings and Trims

<p><b>1540 SQUARE BATTEN</b></p>	<p><b>1541 DIAMOND BATTEN</b></p>	<p><b>1545 BATTEN CLIP</b></p> <p>Maximum 2' 0" centres</p>
<p><b>1506 INSIDE CORNER</b></p>	<p><b>1507 OUTSIDE CORNER</b></p>	<p><b>1512 J-TRIM</b></p>
<p><b>1514 C-CHANNEL</b></p>	<p><b>1517 (C-10) BASE DRIP</b></p>	<p><b>1525 EAVE FLASHING</b></p> <p>* Specify slope</p>
<p><b>1526 GABLE FLASHING</b></p> <p>Leave open 1/8"</p>	<p><b>1527 ENDWALL</b></p>	<p><b>1528 BASE DRIP</b></p> <p>Leave open 1/16"</p>
<p><b>1529 VALLEY</b></p> <p>* Specify slope</p>	<p><b>1530 RIDGE</b></p> <p>* Specify B and slope</p>	<p><b>1535 LOCKING STRIP</b></p>
<p><b>1537 BATTEN CAP</b></p>	<p><b>1500 BATTEN ROOF PANEL</b></p>	

