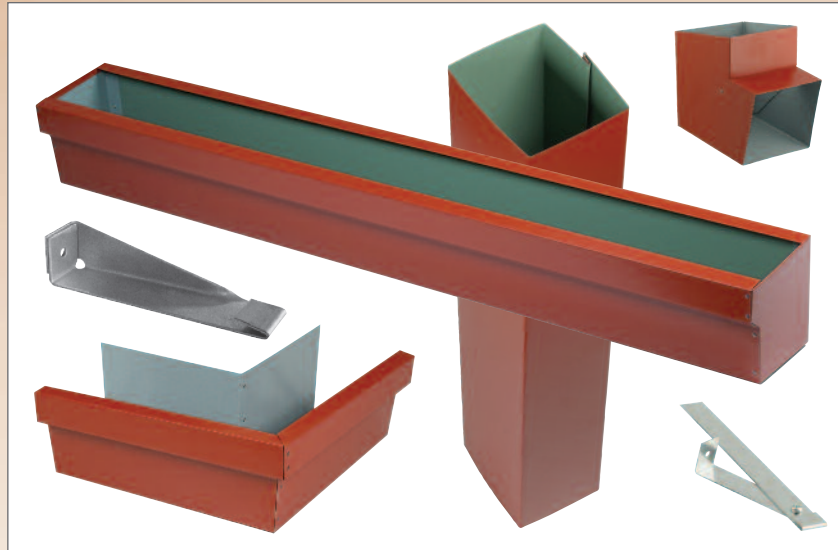


Eavestroughs & Accessories

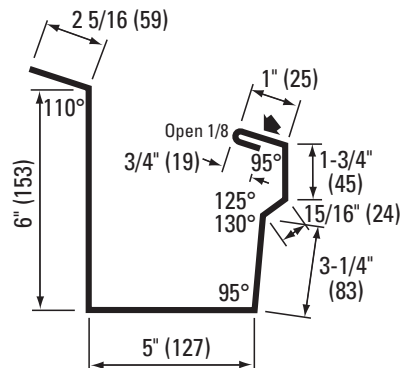
1500 Series Eavestroughs



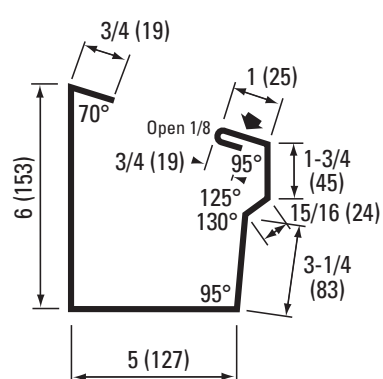
FEATURES:

- Available in 22, 24 and 26 ga.
- Prepainted and Galvanized steel
- Aluminum, Copper, Stainless Steel and Zinc
- Custom sizes available on request
- Available in 10'-0", 16'-3" and 20'-2" lengths
- **NOTE:** Swaging is available on request for overlap on Gutter but is not provided as a standard

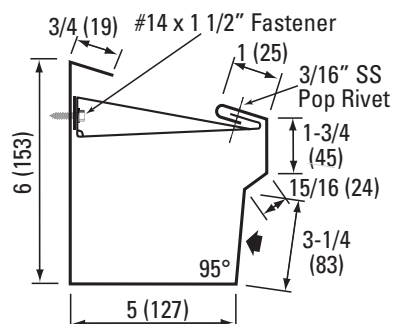
1580 EAVESTROUGH



1581 (G-60) EAVESTROUGH

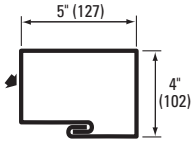
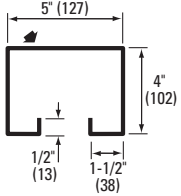
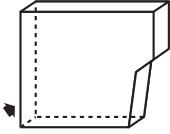
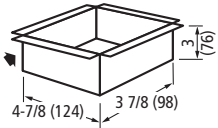
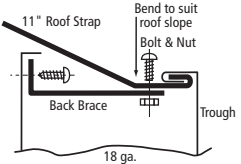
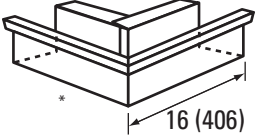
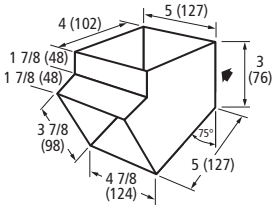
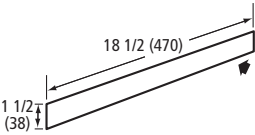
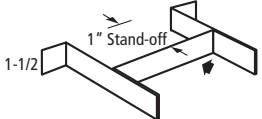




1590 ONE-PIECE EAVESTROUGH
MOUNTING BRACKET INSTALLATION



Eavestroughs & Accessories

1500 Series Eavestrough Accessories

<p>1582 (G-62) DOWNSPOUT</p> 	<p>1589 (G-63) OPEN DOWNSPOUT</p> 	<p>1583 END CAP (L-R)</p> 
<p>1584 (G-57) DROP-IN OUTLET</p> 	<p>1585 (G-61) TROUGH MOUNTING BKT.</p>  <p>Required every 24" o/c</p>	<p>1580/1581 (G-59) *SPECIFY OUTSIDE/INSIDE MITRE</p>  <p>*Outside shown</p>
<p>1588 (G-58) 75° ELBOW</p> 	<p>1586 PIPE STRAP</p> 	<p>1587 PIPE BRACKET</p> 
<p>1590 ONE-PIECE EAVESTROUGH MOUNTING BRACKET</p>  <p>Required every 24" o/c</p>	<p>3/16" S.S. POP RIVET</p> 	<p>GUTTER JOINT SEALANT</p> 