

Sno Gem Snow Guard System

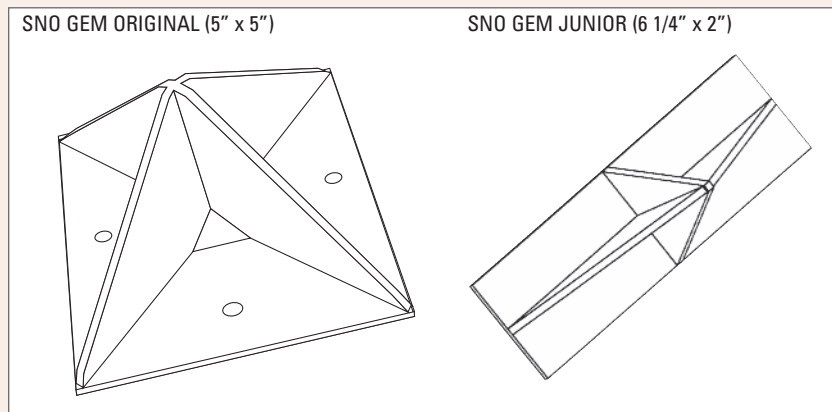


FEATURES:

- Sno Gem: Original (5" x 5") and Junior (6 1/4" x 2") profiles and adhesive
- Manufactured from UV-stabilized polycarbonate
- Innovative design offers the largest base in the industry (25 sq. ins), providing the greatest shear strength
- Clear polycarbonate allows the roof colour to show through
- Also available in Graphite Grey, Sepia Brown and Jet Black
- Two appearance options, permitting a horizontal or vertical look
- Horizontal application offers a 5" barrier
- Rotating the Sno Gem 45° offers 7" of protection (40% more coverage, useful on wider panels)

NOTES:

- A double row is recommended over walkways and building entrances
- Spacing of Sno Gems will depend on roof pitch, width and length of panels
- Junior Sno Gem is adaptable to Century Rib Roofing Profile
- Colour matching is available (200 pc. minimum). Call for information.
- See over for Sno Gem installation instructions



Sno Gem

Sno Gem Installation Instructions

Sno Gem Snow Guards offer a state-of-the-art application technique using **3M** VHB Tape. With proper installation, immediate adhesion upon application is 50%. This method is fully cured in 72 hours, upon which you can expect up to 1,300 lbs. of shear strength per unit. When compared with other application methods, you can also expect reduced installation times and cost savings. This method is for flat panel installation only. Temperature must be above freezing at time of installation.

3M Adhesive Tape Installation: Apply a thin coat of #94 primer to the roof surface. Peel release paper backing off adhesive tape on Sno Gem base. Place Sno Gem in position on metal surface, applying firm, even pressure perpendicular to the roof surface. Apply a bead of sealant around the perimeter of the base.

Sno Gem also offers two additional application methods; on-site application of adhesive and the use of mechanical fasteners. Whichever method you choose, you will benefit from Sno Gem's proven design, appearance and long life.

Adhesive Attachment: Where adhesive is to be the sole means of attaching the Sno Gem Snow Guard to the roof surface, Sno Gem currently recommends the use of Surebond SB-190 Everseal Sealant Caulk. This product has a proven record for this particular use and is well known in the metal roofing industry. To install Sno Gem Snow Guards, contact surfaces shall be wiped only with Isopropyl Alcohol and the adhesive shall be applied so as to completely coat the underside of the device before positioning it on the roof surface. After positioning, exert uniform pressure until adhesive is squeezed out around the entire perimeter of the Sno Gem and point up the joint to create a bead that is free of gaps or air pockets. It should be noted that under certain conditions, temporary measures may need to be employed to hold the Sno Gem in place until the initial set of the adhesive has taken place, and that the total cure requires 28 days of at least 10°C (50°F). Clean up using Mineral Spirits or Naptha gas.

Mechanical Attachment: Where temperatures will not be suitable for adhesive installation or where additional strength is required, Sno Gem Snow Guards may be attached with through fasteners in combination with the adhesive or a high-quality silicone/sealant where conditions permit. Sno Gem Snow Guards are provided with four starter dimples: begin by drilling a 7/32" clearance hole to accommodate a #10 Type A self-tapping fastener (flat or oval head). Fastener selection should be governed by substrate and anticipated loads, but stainless steel or corrosion resistant fasteners should be insisted upon. Adhesive or sealant should be applied so as to completely coat the underside of the device before positioning it on the roof surface. Sufficient compression should be applied to squeeze adhesive/ sealant out around the perimeter of the base and a bead of the same material applied to create a waterproof joint free of gaps and air pockets.

Notes:

Sno Gem Snow Guard placement will vary from region to region and will be influenced by roof pitch, length of run and spacing between seams. Local custom may be the best guide as to placement, and additional recommendations can be found in SMACNA and other industry standards. **Placement should be determined by a qualified design professional.**

Snow Control Systems sold by Agway Metals Inc. are not to be used as a fall protection system. **The Buyer agrees that under no circumstances shall the Seller be liable for any consequential, special or indirect damages.**

