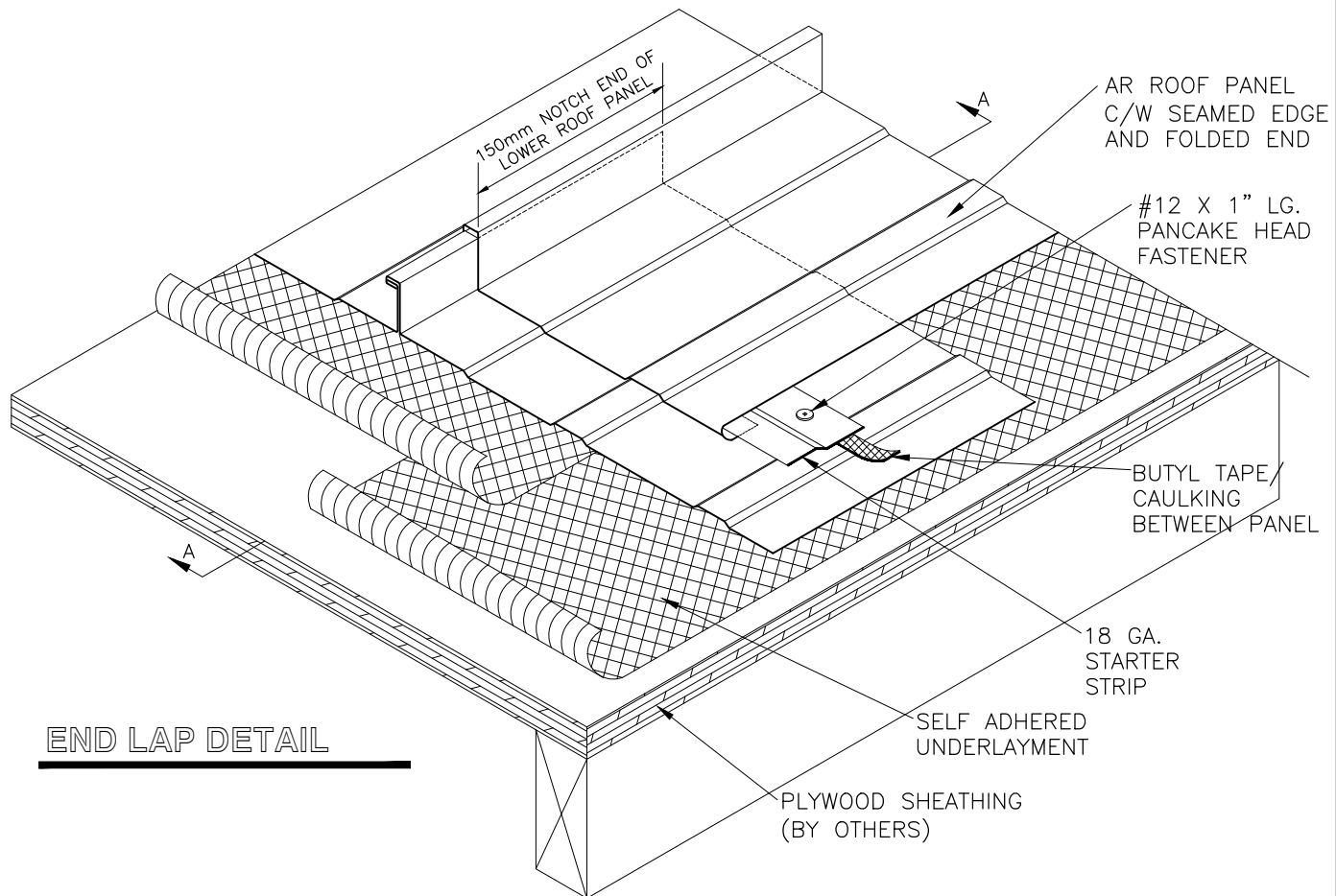
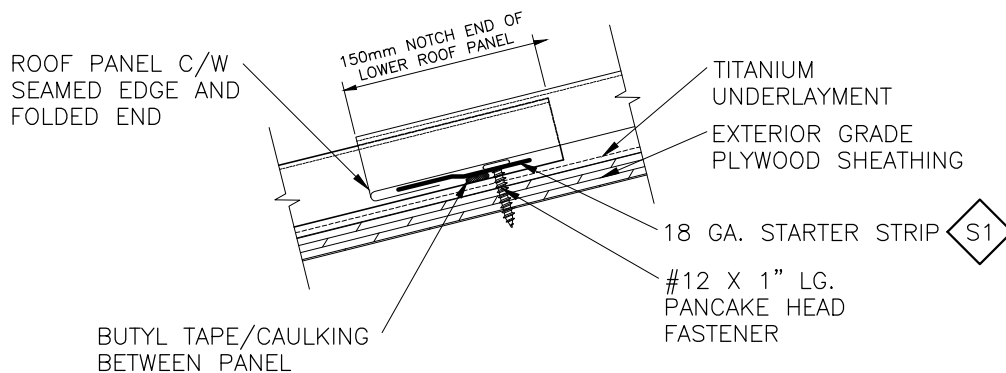


AGWAY AR-38 & AR-50 STANDING SEAM PANEL END LAP DETAIL



END LAP DETAIL



SECTION A-A

NOTES:
 DETAIL MUST BE REVIEWED AND MODIFIED AS REQUIRED
 TO SUITE THE INDIVIDUAL PROJECT CONDITION

REV.: 09/12/2016
 NOTE: DO NOT SCALE