

#14x7/8" SD. LAP  
HEX HD. SCREW c/w  
NEOPRENE WASHER  
@ 16" o.c.

CONT. EPDM  
CLOSURE BLOCK

PLATINUM HT-SA  
UNDERLAYMENT

ROOF PANEL  
CLIP @ MAX.24" o.c.  
(if required)

AGWAY  
ROOF PANEL

ROOF SHEATHING  
#10x1" SELF TAP  
PANCAKE HD. SCREW  
(2 per clip)

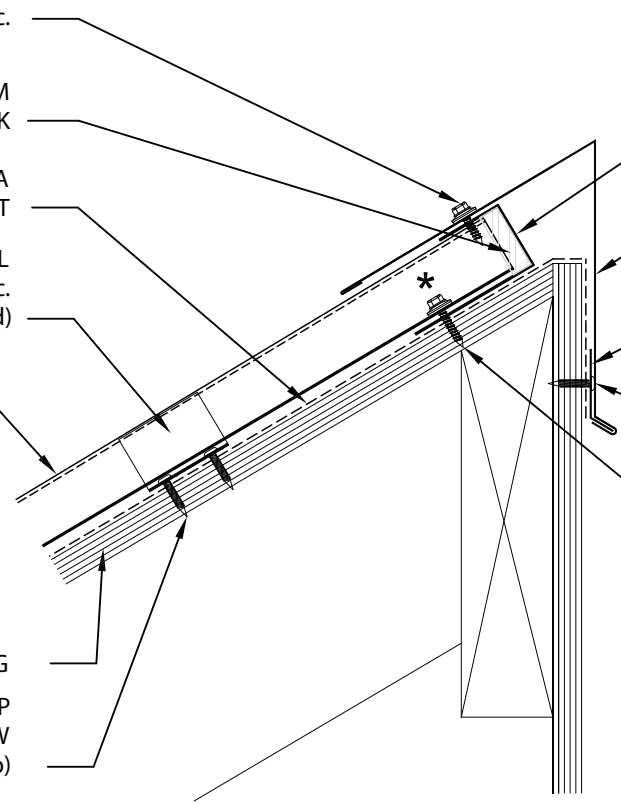
CONT. 'J' METAL  
CLOSURE

MONO RIDGE FLASHING  
G-29

LOCKING CLEAT  
#1535

#10x1" SELF TAP  
PANCAKE HD. SCREW

#9x1" WOODGRIP  
HEX HD. SCREW c/w  
NEOPRENE WASHER  
(3 per panel)



\* NOTE: ROOF PANELS MUST BE ALLOWED TO EXPAND AND CONTRACT, THEREFORE FASTEN PANELS AT ONE END ONLY.

NOTE: DO NOT SCALE



ROOF DETAILS  
**PEAK WITH EPDM CLOSURE**

2020  
**AG R-11**