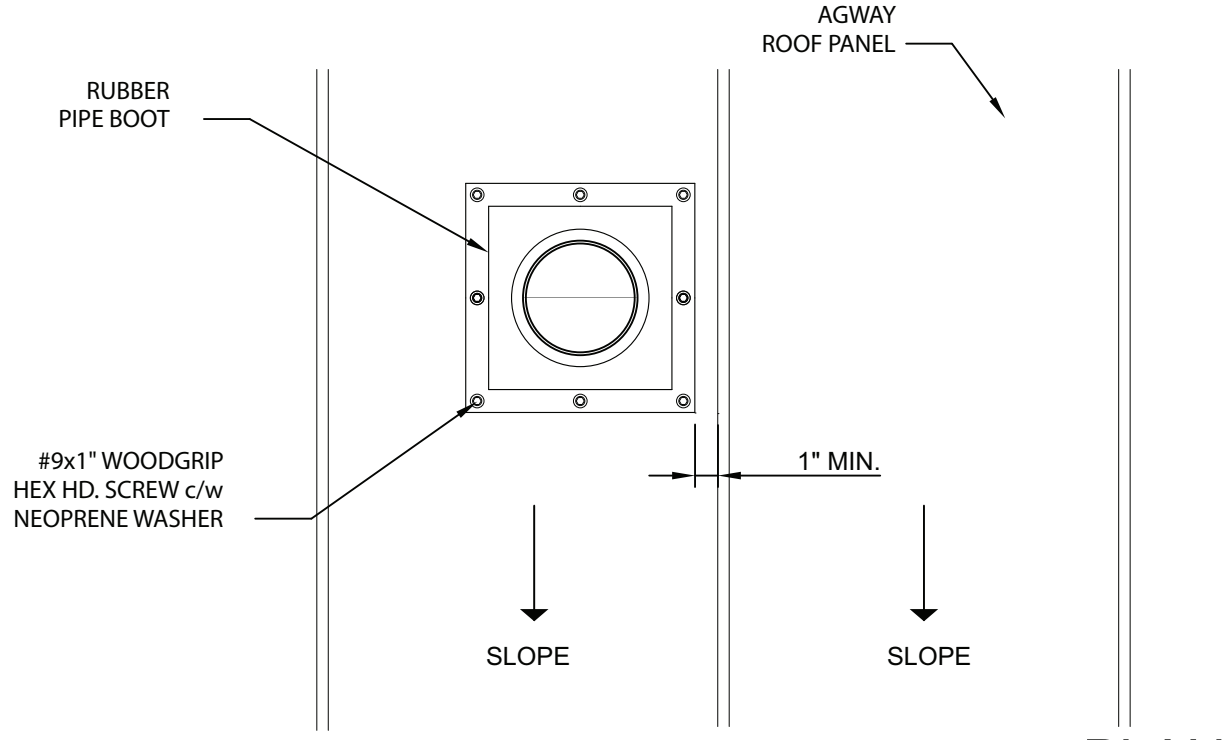


**SECTION**



**PLAN**

NOTE: DO NOT SCALE



ROOF DETAILS  
**FLEXIBLE RUBBER PIPE FLASHING**

2020  
**AG R-19**