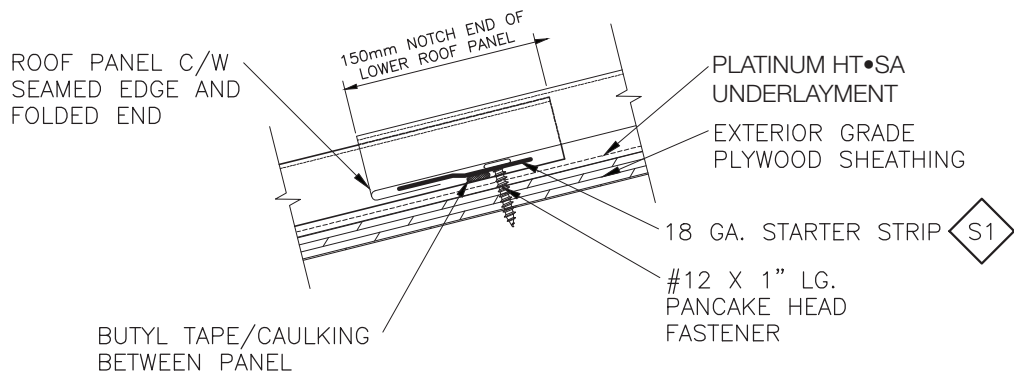


END LAP DETAIL



SECTION A-A

NOTE: DO NOT SCALE

NOTES:
 DETAILS MUST BE REVIEWED AND MODIFIED AS REQUIRED
 TO SUIT THE INDIVIDUAL PROJECT CONDITIONS.



ROOF DETAILS

AGWAY AR-38 & AR-50 STANDING SEAM PANEL - END LAP DETAIL

12Feb21

AG R-21